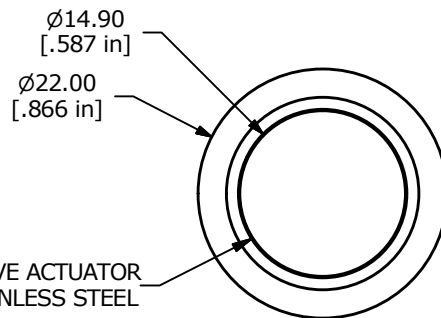
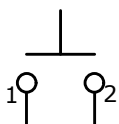


PANEL MOUNTING
MAX. PANEL THICKNESS 8.0mm



▲ RAISED CONCAVE ACTUATOR
POLISHED STAINLESS STEEL



▲ CIRCUIT: SPST

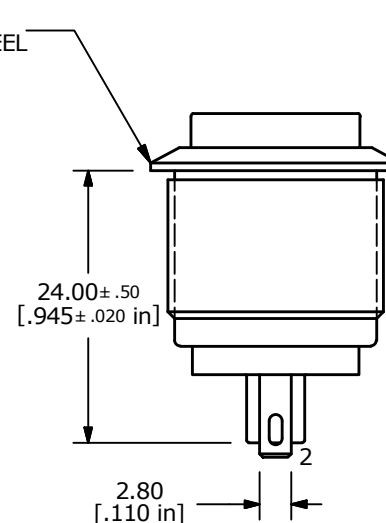
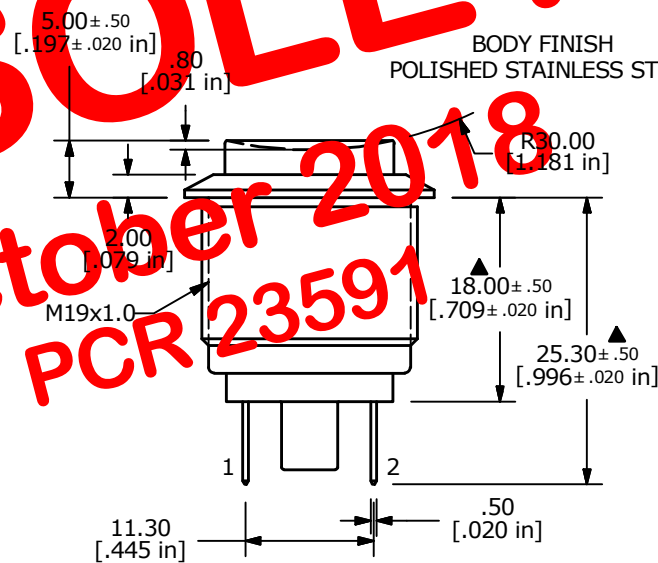
SWITCH FUNCTION	
POS. 1	POS. 2
OFF	(ON)
OPEN	1-2

(ON) = MOMENTARY

OBSOLETE

October 2018

PCR 23591



BODY FINISH
POLISHED STAINLESS STEEL

NOTE:

1. ALL DIMENSIONS IN MM [INCH]
2. GENERAL TOLERANCE: X.X = ± 0.4
X.XX = ± 0.25
3. TERMINAL NOS. FOR REF. ONLY
- ▲ 4. FUNCTION: SPST
- ▲ 5. RATING: 2A @ 36VDC
6. CONTACT RESISTANCE: 50mΩ MAX. @ 1A 12VDC
7. INSULATION RESISTANCE: 1,000MΩ @ 500VDC
8. DIELECTRIC STRENGTH: 2,000VAC MIN. FOR 1 MINUTE
9. ELECTRICAL LIFE: 200,000 CYCLES
10. CONTACT MATERIAL: SILVER PLATED COPPER
11. OPERATING TEMPERATURE: -20°C TO 55°C
12. INGRESS PROTECTION: IP65
13. ▲ DENOTES CRITICAL PARAMETER
- ▲ 14. HARDWARE INCLUDED: HEX NUT AND O-RING (NOT SHOWN)



B	20340	CORRECT TEMP RATING AND CONVERT	12/19/11	BMA
REV	PCR NO	DESCRIPTION	DATE	BY

TITLE	PV1C240SS			
SCALE	3:2	DATE	12/19/2011	DR
				BMA
DWG	52-PV1C240SS			REV
				B

THE INFORMATION CONTAINED IN THIS DOCUMENT IS PROPRIETARY TO E-SWITCH AND IS NOT TO BE COPIED OR TRANSFERRED